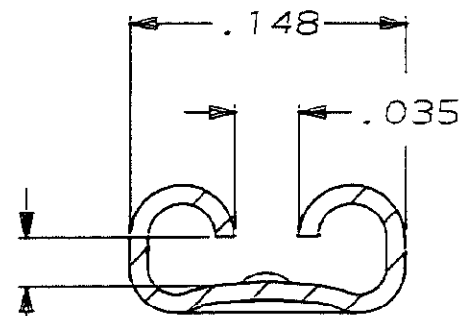
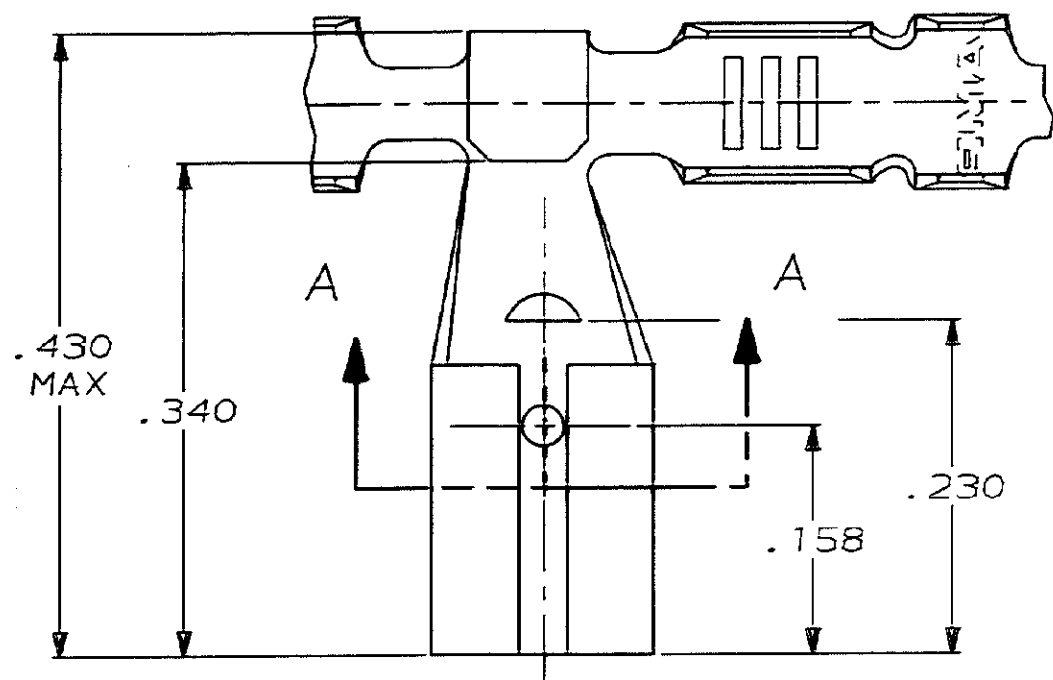


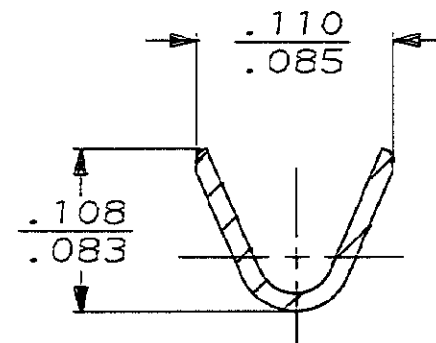
LOC	DIST	P	F	ZONE	LTR	REVISIONS	DATE	APPD
AF	50					DESCRIPTION		
					C	REDRAWN AF-7403	4/22/91	JR

1 CONTINUOUS STRIP ON REELS

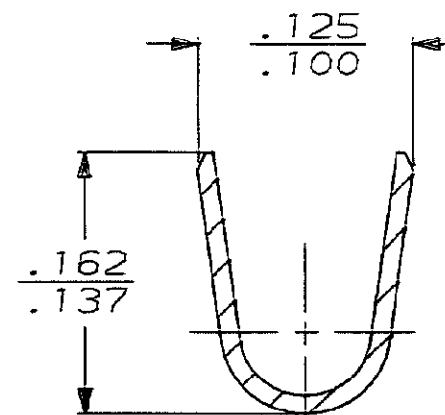


FITS .110 SERIES FASTON TABS

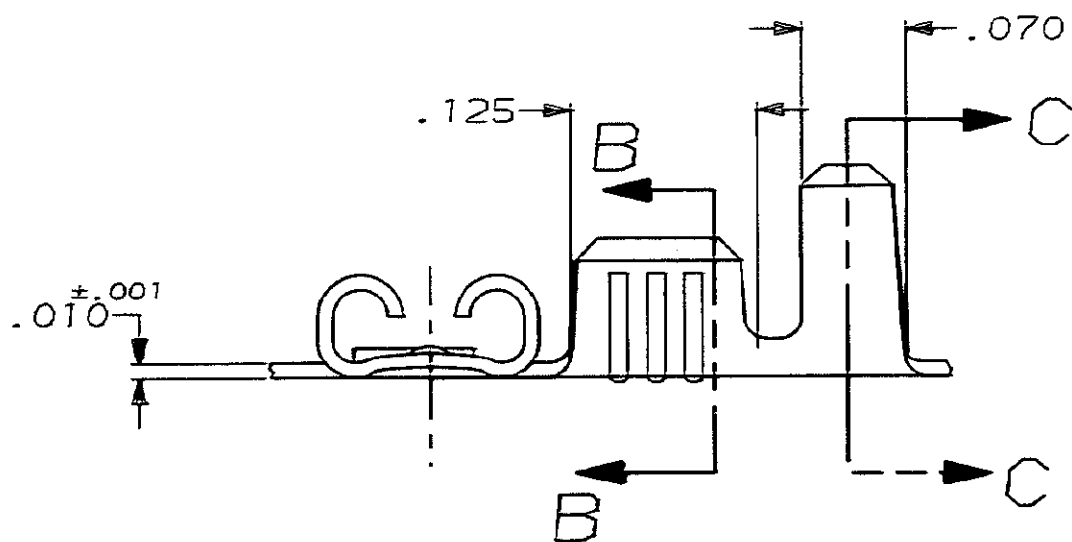
SECTION A-A  
SCALE 10:1



SECTION B-B  
SCALE 10:1



SECTION C-C  
SCALE 10:1



.060-.100 DIA	22-18 AWG	.020	61481-1
INSULATION RANGE	WIRE SIZE	MATING TAB THK ±.001	PART NO
DO NOT SCALE PRINT. UNLESS SPECIFIED DIMENSIONS ARE IN INCHES TOLERANCES ON: 2 PLC DEC ± - 3 PLC DEC ± .015 ANGLES ± -	DR 4/22/91 JR RUTH CHK 4/22/91 MS FEHER APPD 4/22/91 C MEYERS APPD 4/22/91 D REINER PRODUCT SPEC -	AMP Incorporated Harrisburg, PA 17105-3608	
MATERIAL #4H BRASS	APPLICATION SPEC -	NAME RECEPTACLE, FASTON, FLAG, .110 SERIES	
FINISH PRE-TIN	WEIGHT -	SIZE B	CAGE CODE 00779
		DRAWING NO 61481	
		SCALE 8:1	SHEET 1 OF 1